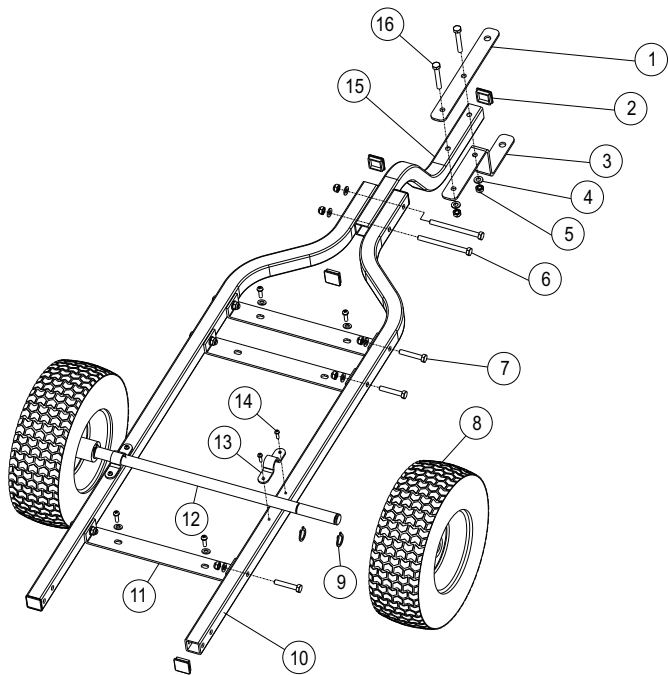


Exploded Drawing :

- Spray bracket base(item 12) for 1.5m spary boom for your option.
- The screw (item 14) fixed tank ,don't break through the tank.

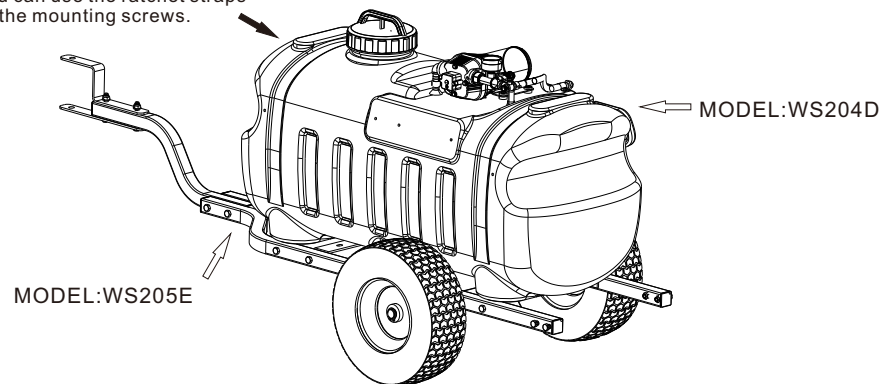


SPRAYER-PART-CART Bill of Materials (BOM)

| Parts Lis t | | | | | | | |
|-------------|-----|-------------|--------------------|------|-----|-------------|------------------|
| ITEM | QTY | PART NUMBER | DESCRIPTION | ITEM | QTY | PART NUMBER | DESCRIPTION |
| 1 | 1 | WS205E-1 | Coupler down | 9 | 4 | WS205E-9 | Jump ring |
| 2 | 6 | WS205E-2 | Square cap 35x35mm | 10 | 2 | WS205E-10 | Tow bracket |
| 3 | 1 | WS205E-3 | Coupler up | 11 | 3 | WS205E-11 | Rung |
| 4 | 10 | WS205E-4 | M8 pad | 12 | 2 | WS205E-12 | Axle Ø20mm |
| 5 | 10 | WS205E-5 | M8 nut | 13 | 2 | WS205E-13 | Axle cover |
| 6 | 2 | WS205E-6 | M8x120mm screw | 14 | 4 | WS205E-14 | PA4.5x12mm screw |
| 7 | 6 | WS205E-7 | M8x45mm screw | 15 | 1 | WS205E-15 | Tow pole |
| 8 | 1 | WS205E-8 | Tyre Ø300X110mm | 16 | 2 | WS205E-16 | M8x55mm screw |

PRODUCT MIX 1:

Remark: To fix the sprayer tank, you can use the ratchet straps or the mounting screws.



PRODUCT MIX 2:

