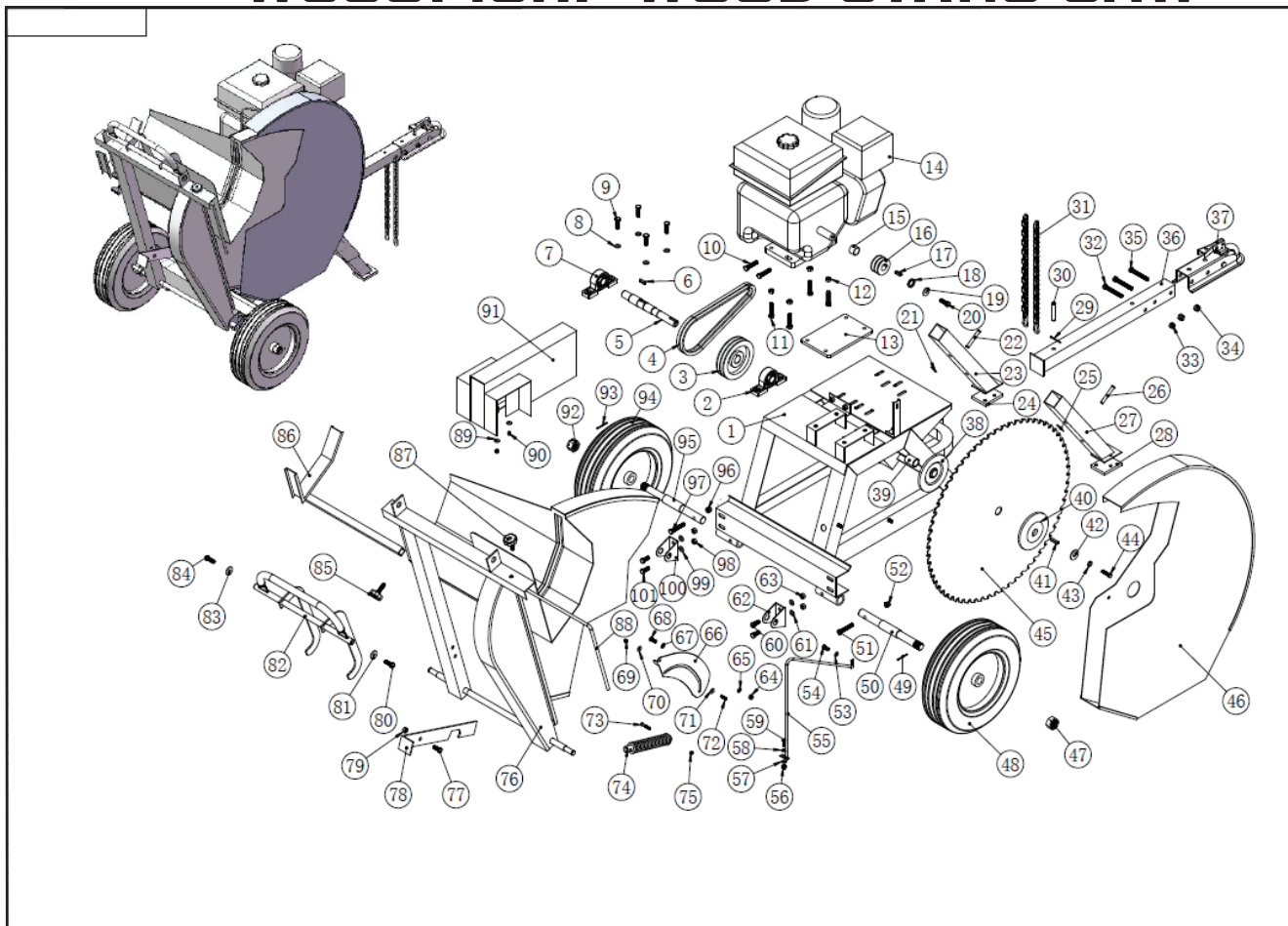


WS001 13HP WOOD SWING SAW



WS001-01	Engine Support
WS001-02	Bearing (Right)
WS001-03	Drived Flywheel Φ148.5
WS001-04	Belt
WS001-05	Driving Axle of Blade
WS001-06	Key for Drived Flywheel 8x7x36
WS001-07	Bearing (Left)
WS001-08	Flat Pad 10
WS001-09	Hex Bolt M10x35
WS001-10	Adjusted Hex Bolt of Engine M10x50
WS001-11	Hex Bolt to Fixed Engine M10x50
WS001-12	Self-locking Nut to Fixed Engine M10
WS001-13	Shock-absorbing Block δ=10
WS001-14	Engine
WS001-15	Spacer Sleeve Φ30xΦ25X21
WS001-16	Driving Flywheel Φ60
WS001-17	Key for Driving Flywheel 7x8x28
WS001-18	Short Interval Φ30xΦ25X6
WS001-19	Flat Pad Φ10 (bigger)
WS001-20	Hex Bolt to Fixed Driving Flywheel M10x30
WS001-21	B-Shape Pin (Front Leg /Left) Φ2x40
WS001-22	Pin Roll (Front Leg / Left) Φ10x70
WS001-23	Front Leg (Left)
WS001-24	Shock-absorbing Block (Front Leg / Left)
WS001-25	B-Shape Pin (Front Leg /Right) Φ2x40
WS001-26	Pin Roll (Front Leg / Right) Φ10x70
WS001-27	Front Leg (Right)
WS001-28	Shock-absorbing Block (Front Leg / Right)
WS001-29	Nut of Trailer Bar Φ3x50
WS001-30	Bolt of Trailer Bar Φ10x70

WS001-31	Safety chain
WS001-32	Fixed Bolt of chain M10x80
WS001-33	Fixed Nut of chain M10
WS001-34	Self-locking Nut to Fixed Coupler M10
WS001-35	Hex Bolt to Fixed Coupler M10x80
WS001-36	Trailer Bar
WS001-37	Trailer Coupler
WS001-38	Innder Flange of Blade Φ140
WS001-39	Spacer Sleeve of Inner Flange Φ30
WS001-40	Outside Flange of Blade Φ140
WS001-41	Key for Drived Flywheel 7x8x36
WS001-42	Flat Pad of Blade Φ12 (bigger)
WS001-43	Spacer Sleeve of Outside Flange Φ30x21
WS001-44	Hex Bolt of Blade M12x30
WS001-45	Blade 400
WS001-46	Safety Cover of Blade
WS001-47	Nut of Wheel Axle M24
WS001-48	Wheel (Right) 4.80-8
WS001-49	Splitpin of Wheel Axle 3x50
WS001-50	Wheel Axle
WS001-51	Hex Bolt of Wheel Axle (Right) M10x60
WS001-52	Self-Locking Nut to Fixed Axle (Right) M10
WS001-53	Flat Pad of Supporting Pole Φ8
WS001-54	Hex Bolt M8x20
WS001-55	Supporting Pole
WS001-56	Self-locking Nut of Supporting Pole M8
WS001-57	Flat Pad Φ8
WS001-58	Flat Pad Φ8
WS001-59	Hex Bolt M8x20
WS001-60	Hex Bolt M10x25



WS001-61	Flat Pad Φ 10
WS001-62	Connection
WS001-63	Self-locking Nut M10
WS001-64	Hex Nut of Spacing-board M8
WS001-65	Flat Pad
WS001-66	Spacing-board
WS001-67	Flat Pad
WS001-68	Hex Bolt of Spacing-board M8x20
WS001-69	Hex Nut of Spacing-board M6
WS001-70	Flat Pad Φ 6
WS001-71	Flat Pad Φ 6
WS001-72	Cross Nut M6x20
WS001-73	Hexagon Bolt M6x35
WS001-74	Spring Assembly
WS001-75	Hex Nut M6
WS001-76	Feeding Chute
WS001-77	Hex Bolt of Lock & Support M10x25
WS001-78	Lock & Support
WS001-79	Hex Nut of Lock & Support M10
WS001-80	Hex Bolt of Holding Device (Right) M10x30
WS001-81	Flat Pad Φ 10 (bigger)
WS001-82	Holding Device
WS001-83	Flat Pad Φ 10 (bigger)
WS001-84	Hex Bolt of Holding Device (Left) M10x30
WS001-85	Bolt of Log Carrier M10x35
WS001-86	Log Carrier
WS001-87	Bolt of Ruler M10x35
WS001-88	Ruler
WS001-89	Flat Pad of Bearing Φ 6
WS001-90	Self-locking Nut of Bearing M6
WS001-91	Cover of Bearing
WS001-92	Nut of Wheel Axle (Left) M24
WS001-93	Splitpin of Wheel Axle 3x50
WS001-94	Wheel (Left) 4.80-8
WS001-95	Wheel Axle (Left)
WS001-96	Self-locking Nut to Fixed Wheel Axle (Left) M10
WS001-97	Hex Bolt to Fixed Wheel Axle (Left) M10x60
WS001-98	Self-locking Nut M10
WS001-99	Flat Pad Φ 10
WS001-100	Connection
WS001-101	Hex Bolt M10x25
YTX14-BS	Battery

WS001

